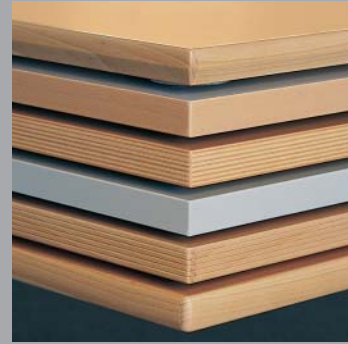


6 edge surrounds are possible with Small-Talk. (from top to bottom) tapered beech edge, laminated wood edge, multiplex edge, ABS edge, beech edge, with grooves, beech edge, slightly rounded.



Standard adjustable glides compensate for up to 1.5 cm differences on uneven floors.



Slot-in tabletops can simply be fitted between two tables.



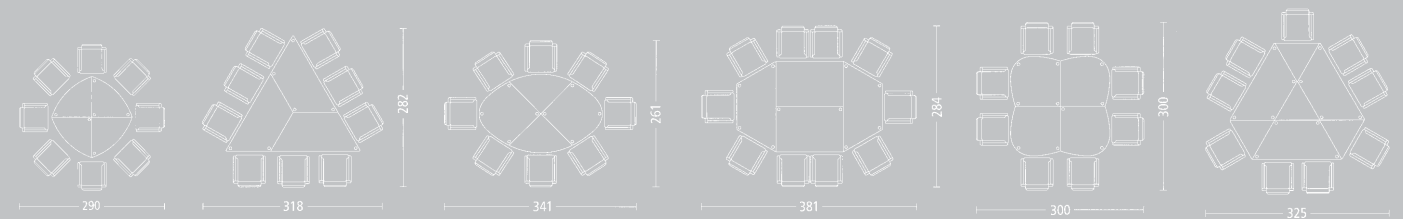
Quick assembly: The table leg is fitted into its mounting by just one rotation (360 degrees). Simple thumb pressure is all that is required to release the locking mechanism.



Reliable linking: The linking device pulls the tables firmly together via a rotary handle and fixes them reliably and safely.



Simple handling, robust design and easy-care surfaces – these are the benefits of *smalltalk* in settings for relaxation. Here, too, the modular design offers a major advantage. Rooms can effortlessly be adapted for different uses. *smalltalk* tables can be quickly dismantled and stored in a space-saving manner, thereby clearing the space in no time for any event, presentation or company party.



smalltalk
the modular table system



smalltalk

smalltalk.

GB: Victoria House, 64 Paul Street, London, EC2A 4NG, Phone (44) 020 7749 26 50, Fax (44) 020 7749 26 55
 A-4950 Altheim, Linzerstraße 22, Phone (43) 77 23 4 60-0, Fax (43) 77 23 4 60-3 31
 D-97072 Würzburg, Goethestraße 1, Phone (49) 9 31 3 55 85-0, Fax (49) 9 31 3 55 85 85
 F-67088 Strasbourg, 12, rue du Parc, BP 312, Cedex 02, Phone (33) 3 88 56 07 07, Fax (33) 3 88 56 45 46
 NL-6102 BJ Echt, Houtstraat 32H, Phone (31) 4 75 41 02 22, Fax (31) 4 75 41 00 90
 CZ-101 00 Praha 10, Žitomířská 38, Phone (420) 2 67 20 03 00, Fax (420) 2 71 73 22 93
 H-1026 Budapest, Pasaréti út 22, Phone (36) 1 3 56 08 54, Fax (36) 1 2 12 31 89
 Vertretung Schweiz: Dietiker Schweiz, CH-8260 Stein am Rhein, Phone (41) 52 742 21 21, Fax (41) 52 742 21 90
www.wiesner-hager.com

Fotolocation: ISOVOLTA, Wt. Neudorf

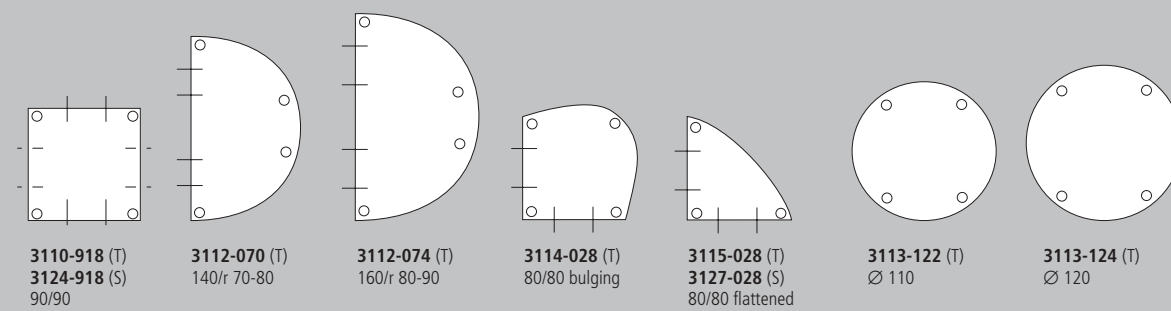
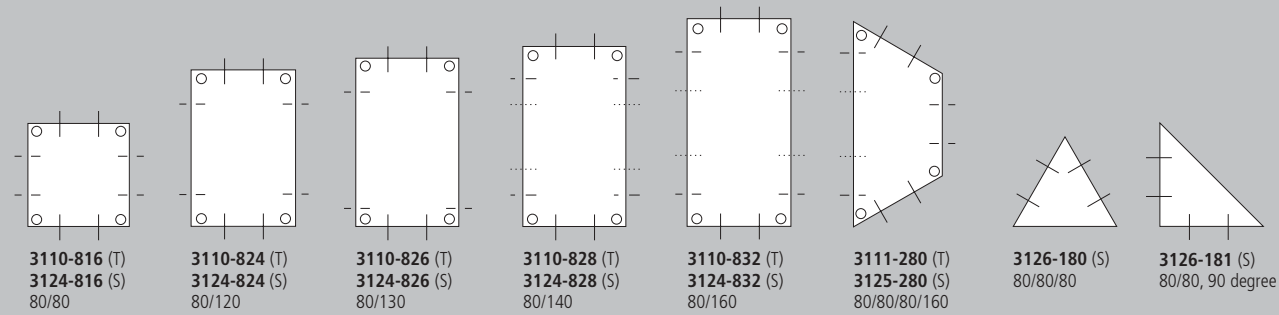
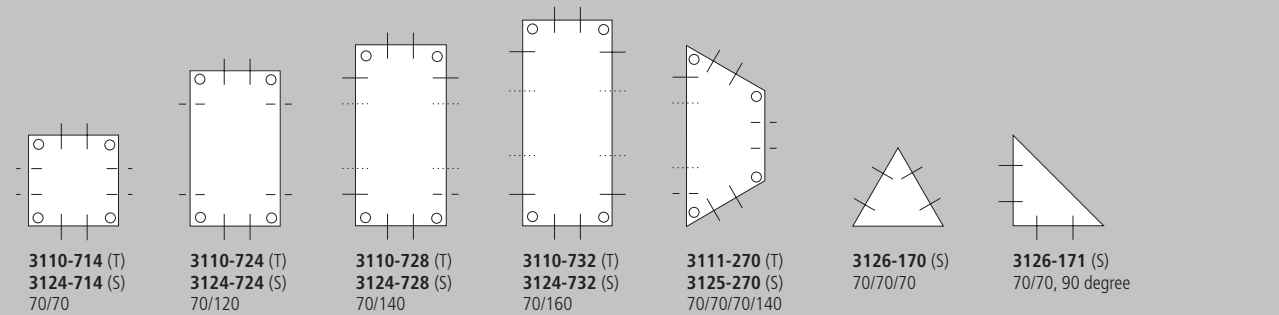


wiesner hager

wiesner hager



„Good Design Award“, Japan.
Design: Martin Ballendat



Tabletop formats: Dimensions in cm Abbreviations: (T) = table top, (S) = slot-in top



- Beech table legs:**
- ① Circular (Ø 50 mm)
 - ② Rectangular (40/60 mm)
 - ③ Square, conical (56/56 – 38/38 mm)
 - ④ Circular, with plastic handle (Ø 50 mm)
 - ⑤ Circular, conical (Ø 38–50 mm)
- Metal table legs:**
- ⑥ Circular (Ø 50 mm)
 - ⑦ Circular, with plastic handle (Ø 50 mm)

smalltalk is a highly flexible, versatile table system designed according to a modular concept. Its special qualities make *smalltalk* particularly suitable for all-purpose applications. In seminar and training rooms, office and conference rooms, in works restaurants, canteens or in the social area – *smalltalk* reveals its potential absolutely anywhere.

The modular concept of the *smalltalk* system allows table configurations to be quickly modified, completely dismantled and stored in a space-saving manner. The reliable, rapid linking of tabletops and slot in tops, the simply removable legs and the practical transport and storage trolleys all combine to make *smalltalk* quite unique.

